

Figure 4-12 Special-purpose concrete masonry units.

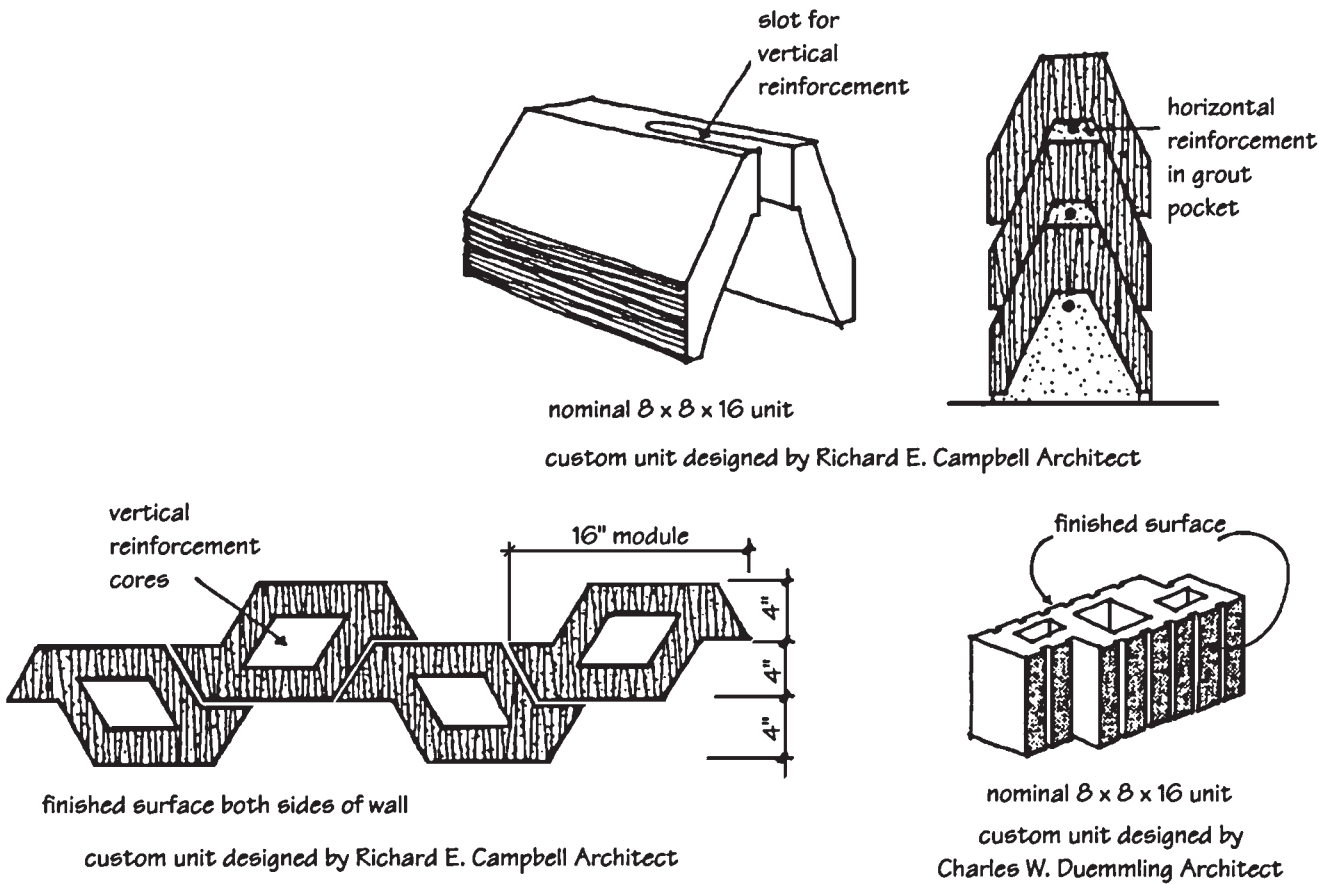
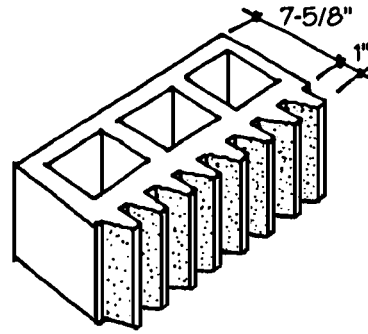
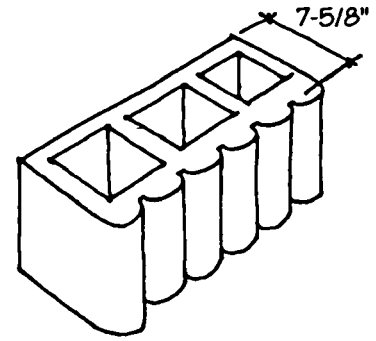


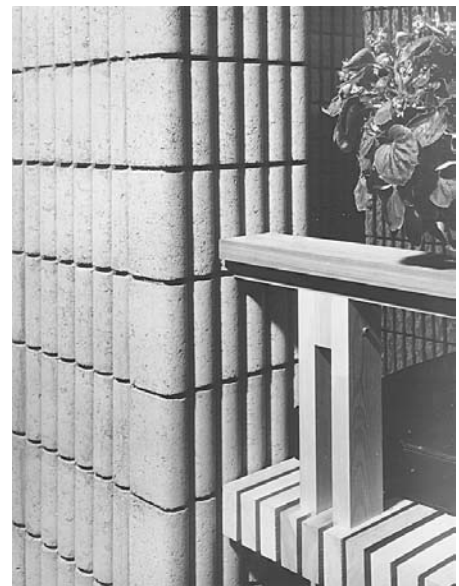
Figure 4-13 Custom-designed concrete block.



split-sawtooth unit



curved fluted unit



**Figure 4-14** Two custom face designs by architect Paul Rudolph. (Photos courtesy National Concrete Masonry Association.)

#### 4.6.3 Paving Units

Two kinds of concrete masonry paving units are available for roadway and parking area surfacing. Solid interlocking units in a number of patterns provide a continuous topping over standard sand and gravel base materials. Open grid blocks permit grass to grow through the perforations while stabilizing the soil, protecting vegetation, and supporting vehicular traffic (see Fig. 4-18). Densely compacted units of 5000- to 8000-psi compressive strength have a high resistance to moisture penetration and great durability in severe weathering conditions. CMU paving systems permit percolation of rainwater back into the soil despite the relative imperviousness of the unit itself. Prevention of excessive runoff is an important environmental consideration for standard installations as well as those where erosion and drainage of surrounding areas may be a problem. Grid units are generally 15 to 18 in. wide, about 24 in. long, and from